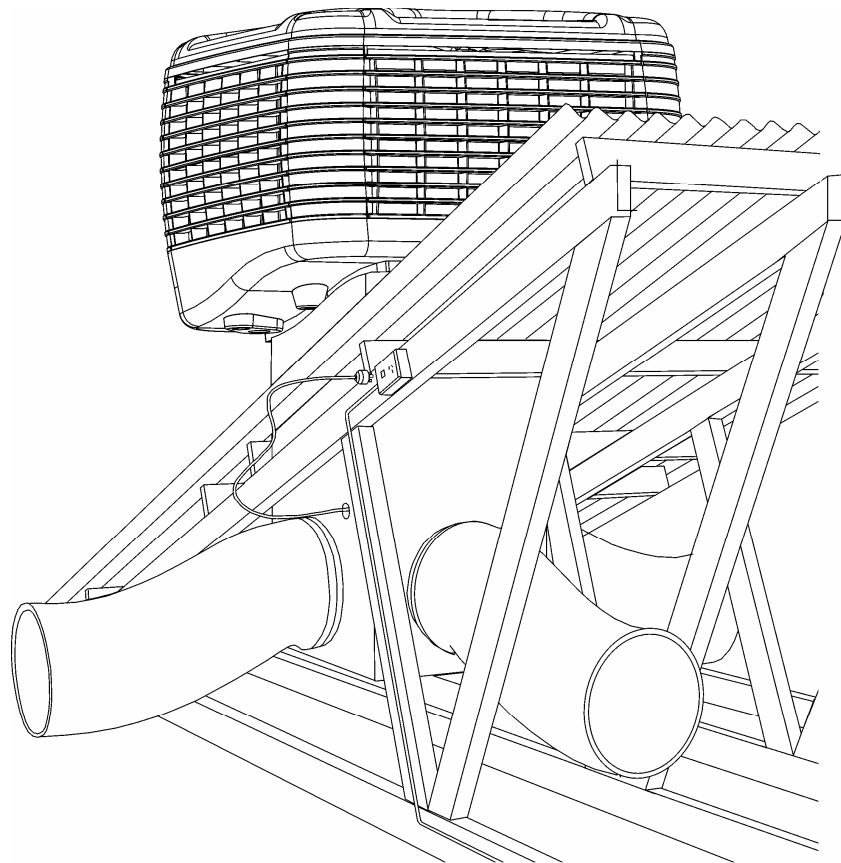

Owner's Manual

FIRE RATED DUCTED EVAPORATIVE AIR CONDITIONER

Ember Protection



IMPORTANT NOTICE **Maintenance Instructions**

Please leave this manual with the owner of this air conditioner.

Please keep this important manual in a safe place. It is the owner's responsibility to ensure that regular servicing is conducted with this product to ensure it operates at its optimum level. Should a service call be required as the result of not adhering to these instructions, a charge for the service call will be made.

Owner's Manual

About

Introduction

This product has been fitted with ember protection. The ember screen is the requirement of 2 Australian codes:

The Australian Standards

AS3959 – 1999 Construction of building in bushfire prone areas

3.9.1.6 Roof mounted evaporative air conditioners

and

Building Code of Australia

Conformance to the Australian building code board.

Section 3.7.4.3 For roof mounted evaporative cooling units

Level 1 Medium bushfire attack categories

All opening into the cooling unit must be protected by corrosion resistant steel or bronze mesh with a maximum aperture size of 1.8mm

Maintenance Requirements

As the aperture size of the mesh hole is 1.6mm, there is the potential for frequent maintenance to the ember screen to maintain maximum air flow.

The fitting of the ember screen does give the unit a slight reduction in air flow. If there is blocking of the ember protector, there will be a noticeable decrease in the availability of air indicating the requirement to service the ember screen / filters.

Subject to environmental conditions, ember screen / filter maintenance could be required at least monthly during the operational period.

There are 2 levels of service that can be used:

- 1 Using a garden hose, pressure wash out any excess debris to clear the aperture holes.
- 2 Completely remove the ember protector from the louvre panel assembly and clean.

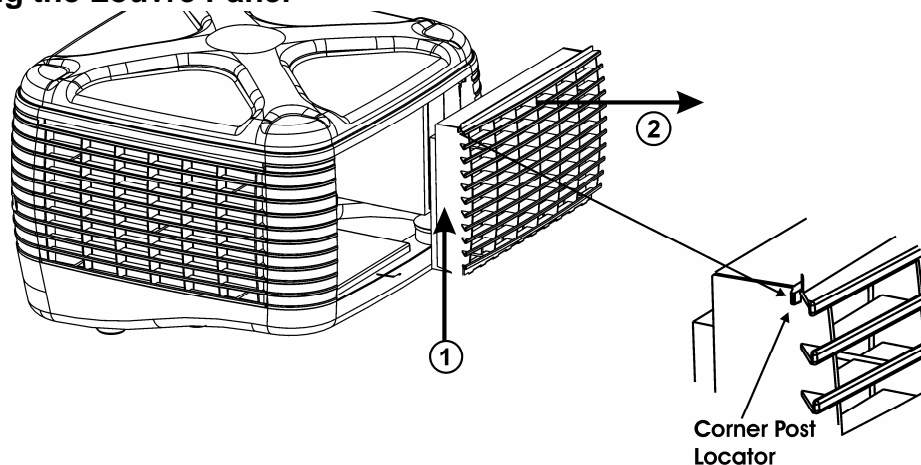
Text and Illustration Copyright Climate Technologies 2005

All rights reserved. No part of this document may be reproduced or transmitted in any form or by any means, electronic or mechanical, including photocopying, recording or by any information storage and retrieval system, without prior permission in writing from Climate Technologies

In the interest of continued product improvement Climate Technologies reserves the right to alter specifications without notice. E.&O.E.

Owner's Manual

Removing the Louvre Panel

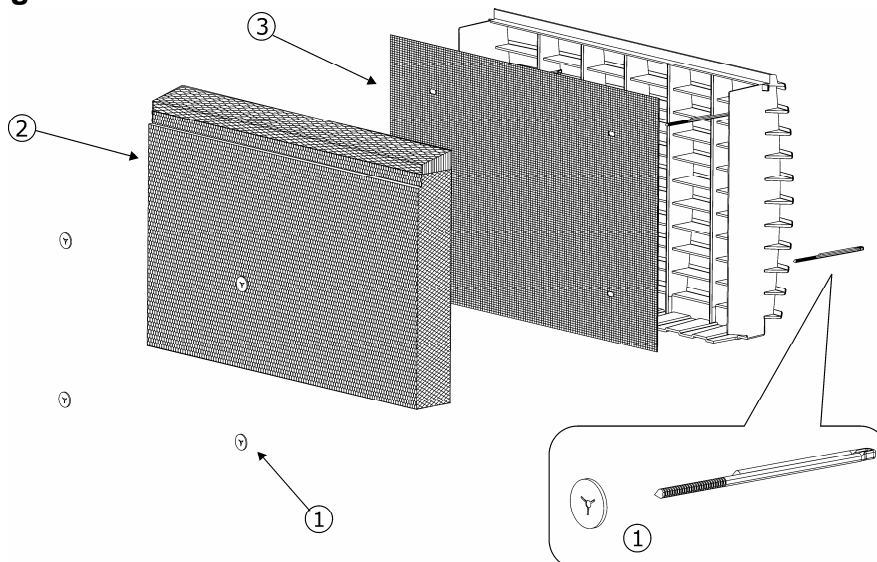


STEP 1. Lift the Louvre assembly up approximately 15mm over the corner post location.

STEP 2. Tilt the Louvre back from the top of unit and remove.

To replace the louvre into the unit, use the above instructions in reverse.

Removing the Ember Screen



STEP 1 Remove the pad retaining washers.

STEP 2 Remove the celdek filter pad carefully. (Note:- celdek filter pads are fragile and are a consumable item not covered by warranty)

STEP 3 Remove the ember screen

STEP 4 Clean the mesh thoroughly removing all scale and blockage from the mesh. This can be achieved by soaking the mesh with water for a period of time, pressure washing and or using a wire brush lightly.

STEP 5 Reassembly the louvre filter pad assembly using steps 1 – 3 in reverse.



"Excelling today for a better tomorrow"

Manufactured by
Climate Technologies
ABN 13 001 418 042

26 Nylex Avenue
Salisbury, SA 5108
Australia

www.climatetechnologies.com.au