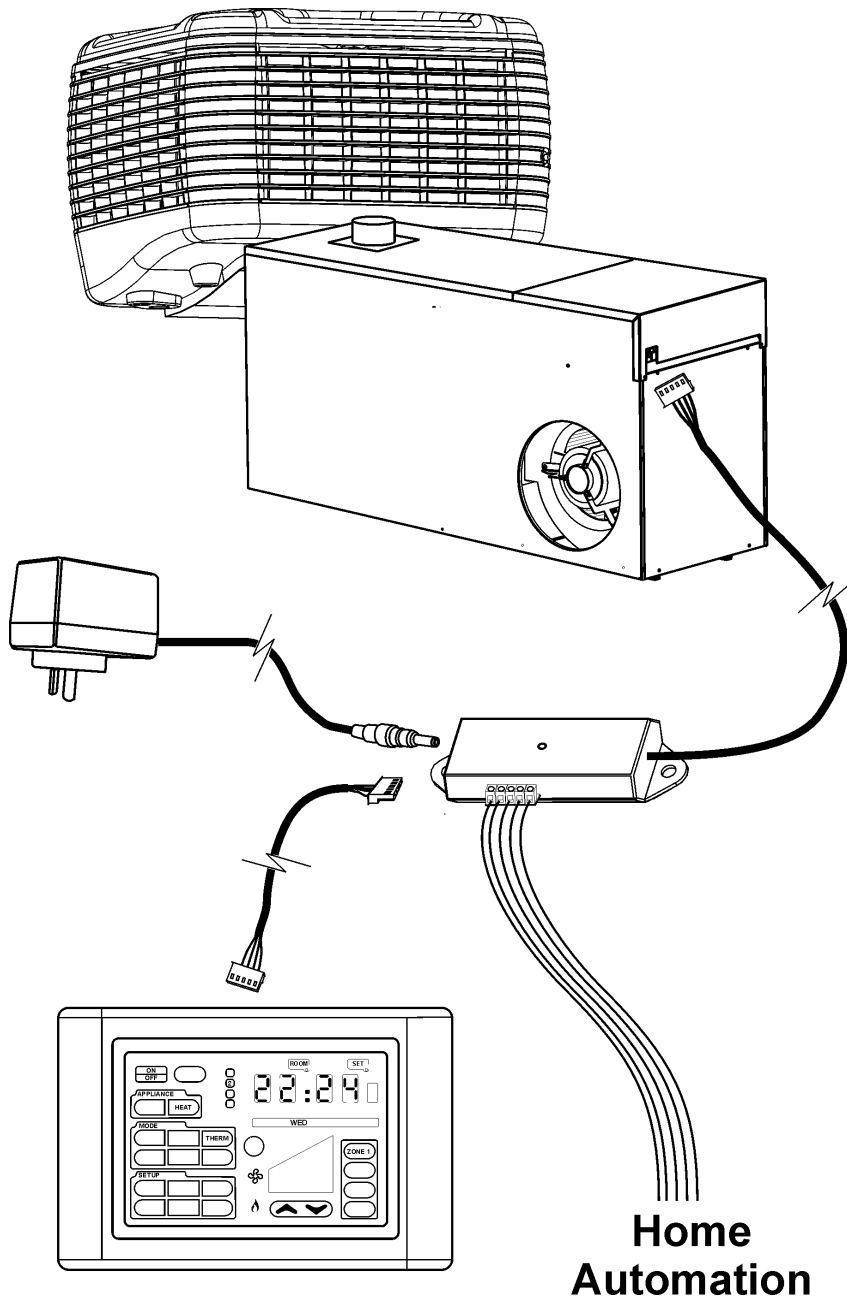

OWNER'S MANUAL

Home Automation Control Interface



www.climatetechnologies.com.au

Home Automation

INTRODUCTION

This interface module is designed to interface Climate Technologies technologically advanced Touchpad controller system with most Home Automation systems. From the touch of button to the press of number through your dial up system, your Climate Technologies products can be turned ON or OFF through your home automation system.

SPECIFICATIONS

The home automation will turn the Touchpad control system off when activated OFF and will resume the last settings when activated ON.

PNE Controls

The home automation interface module has been designed to work in conjunction with the PNE Electronics Touchpad control system.

Interface Module

The interface module requires a 240-volt GPO to power a 9V AC or 12V DC power supply adaptor.

Will only interface with the PNE Touchpad Control.

Switch pulsing for ON and OFF.

Clean contact connections 4 & 5. Maximum load 24 Volt / 100 mA.

Home Automation Requirements

The home automation product must have the ability to provide a voltage free contact. The ON and OFF functions must be a contact closure for a minimum of 1 second leaving the contact status as open. This will effectively create the pulse required to turn the Climate Technologies Touchpad ON or OFF.

TOUCHPAD FUNCTION

The Touchpad will be used as per the Touchpad Owner's Manual provided.

- When the Touchpad is turned OFF by the home automation system, the PNE control system will be turned off and the heater or cooler will shut down normally.
- The ON / OFF icon on the Touchpad will flash to indicate the control is in a suspended mode.
- When the home automation turns the Touchpad control ON, it will resume using its last operational setting eg product, temperature setting, program mode etc.

There is no protocol system interface available to change operating parameters of the Touchpad via the home automation control.

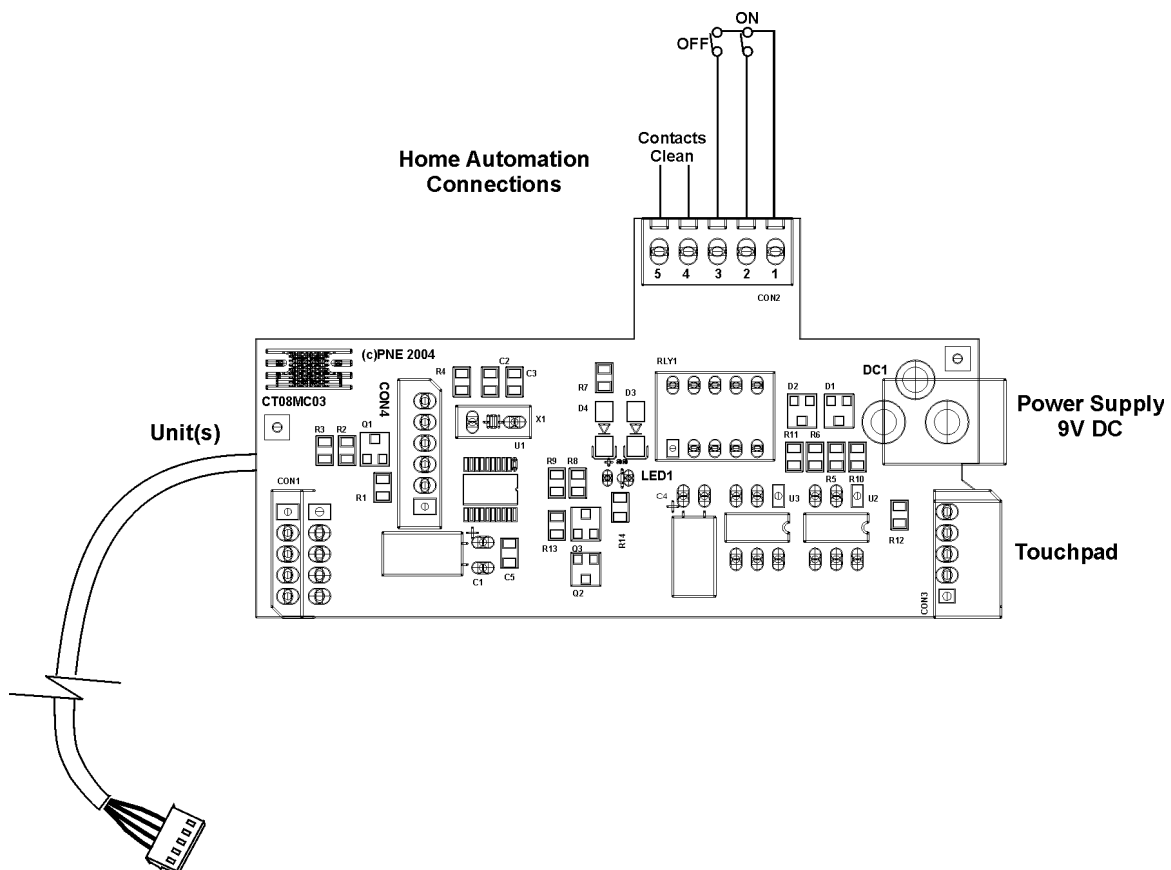
- The unit operation can also be resumed by pressing the ON / OFF icon on the Touchpad to override the home automation command.

Home Automation

Setup

The interface module has been supplied with a 1 metre comms connection cable.

- Connect the interface module cable into the comms port on the unit control board.
- Connect the Touchpad 20 metre comms Touchpad loom into the plug on the interface module.
- Connect the home automation wires to the screw terminals as per the wiring diagram below.
- Connect the 9V AC power pack out put plug to the interface module.
- Plug the 9V AC power pack into a 240-volt supply and power up.
- Power up the Climate Technologies product being interfaced. A red status light will indicate product signal status through the interface.
- Once the Climate Technologies product has initialised with the Touchpad, use the home automation device to test turning the product ON or OFF.





“Excelling today for a better tomorrow”

Manufactured by:

CLIMATE TECHNOLOGIES

ABN 13 001 418 042

Text and Illustration Copyright Climate Technologies 2004

All rights reserved. No part of this document may be reproduced or transmitted in any form or by any means, electronic or mechanical, including photocopying, recording or by any information storage and retrieval system, without prior permission in writing from Climate Technologies

In the interest of continued product improvement Climate Technologies reserves the right to alter specifications without notice. E.&O.E.